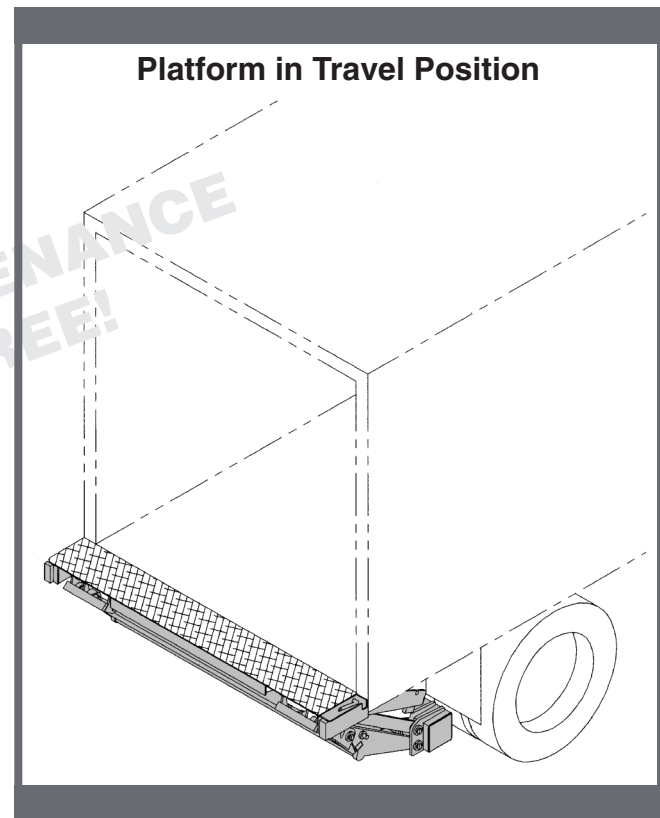
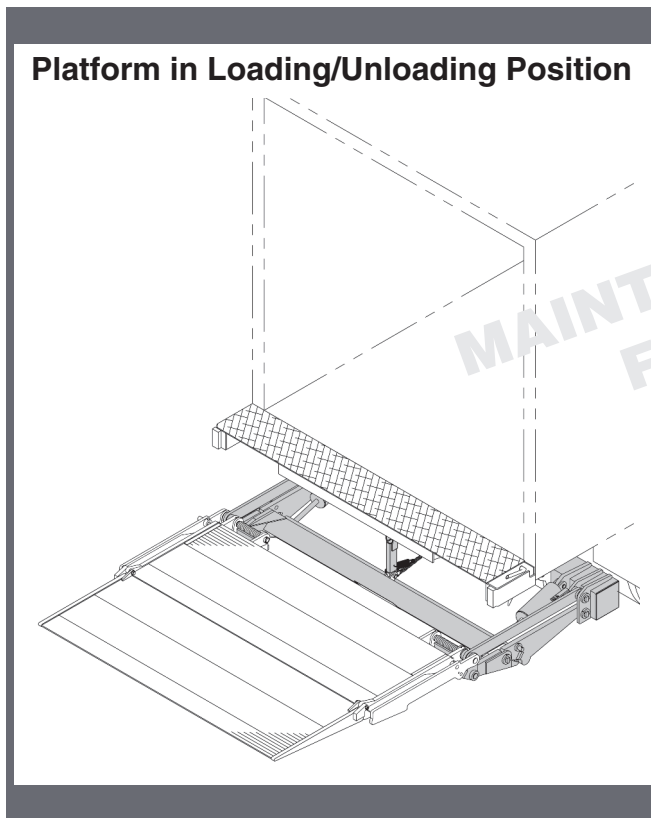


StowAway

Tailgates By THIEMAN

Raising Performance to New Levels

Model LRST-40



FEATURING:

- **Self-Leveling Action**
- **Large 80" x 60" Platform**
- **Heavy Duty Lift Frame**
- **4000 Lb. Lift Capacity**
- **Dual Cylinder Lift**
- **Maintenance-Free Bushings**
- **Pump Enclosure for Protection from Weather**
- **Meets TMC Electrical Guidelines**

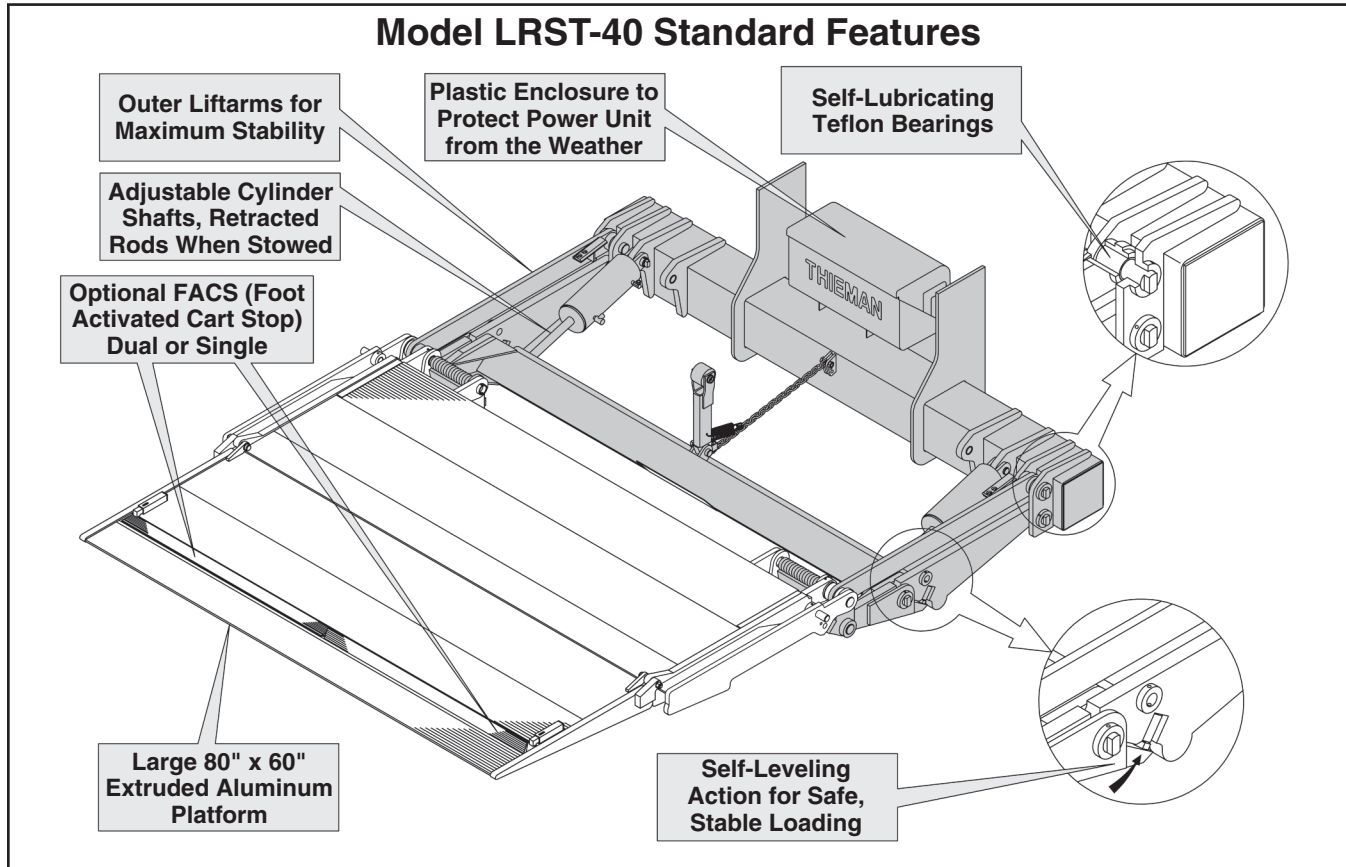


The LRST (Level Ride Stowaway) is designed for handling loads of up to 4,000 lbs. and features a self-leveling action and an adjustable platform to provide a stable, "level with truck" surface for all types of loading conditions.

With maintenance being a major concern among fleets today, Thieman has incorporated self-lubricating Teflon bearings at all of the LRST pivot points. The LRST has a unique design so the cylinder rods are retracted during transit to protect them from road debris. The LRST also includes a standard plastic pump enclosure for protection from the weather. All of these features reduce the need for maintenance and keep your trucks and trailers on the road.

Along with a large 80" x 60" aluminum platform and self-lubricating bearings, is the industry's strongest lift frame. This makes the THIEMAN LRST the most efficient, reliable and durable Level Ride Stowaway in its class.

Features, Benefits and Specifications



STANDARD FEATURES AND BENEFITS:

- Self-Leveling Action to Provide Stable, "Level with Truck" Surface for All Types of Loads.
- Teflon Composite Bearings Used with Stress-Proof Pins for Virtually Maintenance-Free Operation at Pivot Points.
- No Lubrication Required at Pivot Points for Less Overall Maintenance.
- Dual Lift Cylinders for Maximum Stability.
- Adjustable Cylinder Shafts for Adjusting Platform Height.
- Adjustment Bolts for Adjusting Platform Angle.
- Meets All TMC Electrical Guidelines for Reduced Service Requirements.
- Power Up and Power Down for Better Cold Weather Operations.
- Plastic Pump Enclosure for Protection from Weather.
- Sealed Toggle Switch Control for Easy Weather Proof Operation.
- Dual Travel Latches to Secure Lift During Road Travel.
- 150 Amp Circuit Breaker for Electrical Protection.
- Snubber Kit for Reduced Movement While in Travel Position.

AVAILABLE OPTIONS FOR LRST-40:

- Remote Pendant Control
- In-Cab Shut Off Switch
- Heavy Duty I-Beam Dock Bumpers
- Rear Impact Guard (FMVSS 223)
- Light Kits
- Foot Activated Cart Stops
- Trailer Kits
- PTO Power Source
- Galvanized Undercarriage

Model #	Platform	Ramp	Load Capacity	Lowering	Approx. Install Wt.	Bed Height Range
LRST 40 EST	80" X 60"	Full Taper	4000 Lbs.	Power	1450	46" to 56"
LRST 40 ESPB	80" X 60"	Full Taper	4000 Lbs.	Power	1450	46" to 56"

Application: Van Bodies, Trailers and Stake Bodies

EST-Electric w/Toggle Switch Control/Power Down *ESPB - Electric w/Push Button Control/Power Down

Distributed By:



Raising Performance to New Levels

600 East Wayne Street
 Celina, Ohio 45822
 Phone: 419-586-7727 or 800-524-5210
 Fax: 419-586-9724
www.thiemantailgates.com
info@thiemantailgates.com

THIEMAN Reserves the right to Change Products Specifications at any time Without Prior Notice.
 Printed in U.S.A. Rev. 5/10 • 2M • MP70077