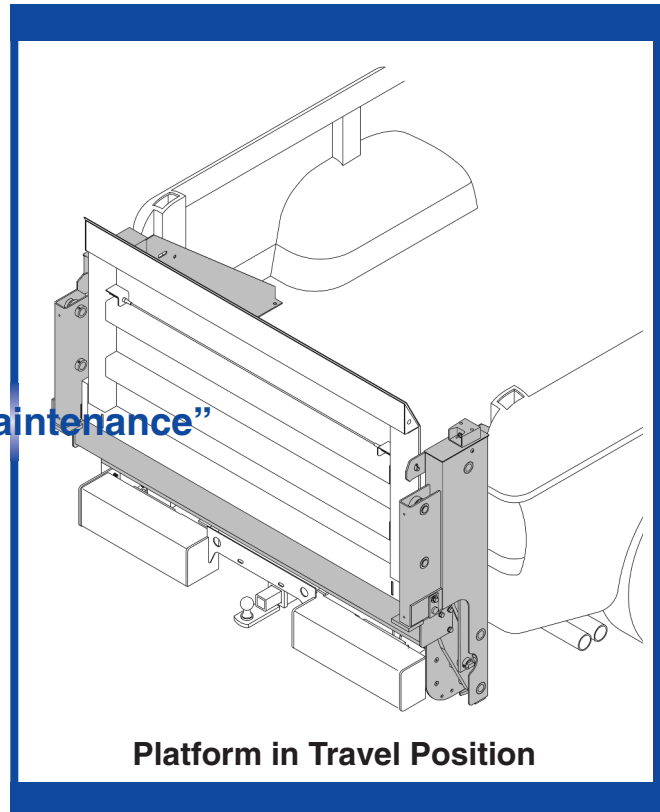
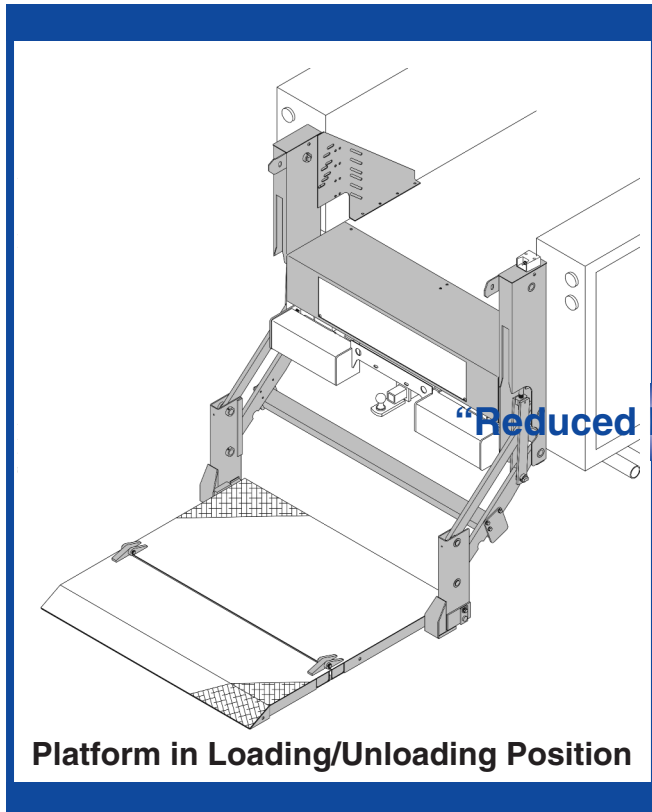


TopLifter

Tailgates By **THIEMAN**

Raising Performance to New Levels

Model TT-15



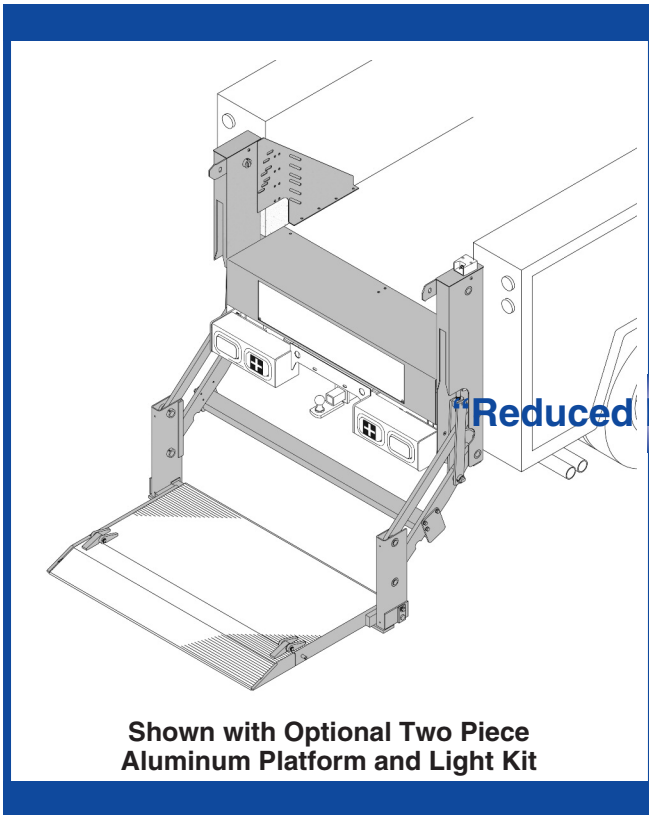
FEATURING:

- **Reduced Maintenance**
- **New Streamline Design**
- **Meets TMC Electrical Guidelines**
- **Direct Dual Cylinder Lift, No Chains or Cables, Wide Opening to Truck Bed**
- **Heavy-Duty Steel Diamond Plate Platform**
- **Fully Enclosed Power Unit & Cylinders**
- **Fast & Easy Installation**
- **Two Piece Bumper (for use with frame attached receivers)**

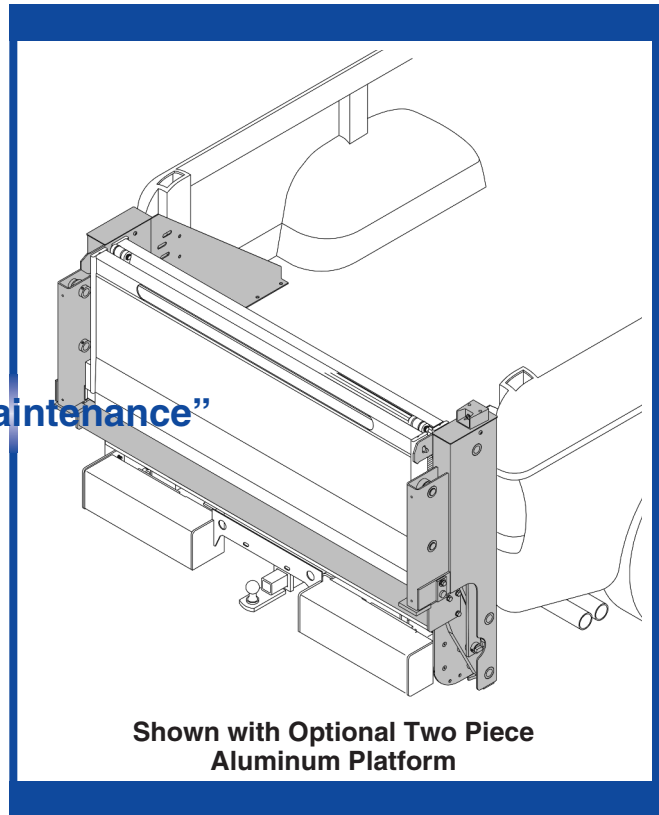
The THIEMAN TT Series is completely assembled into one compact unit - ready to run. Simply bolt and/or weld it to the truck and connect the battery cable. Installation is fast and easy. And years from now, it will be just as simple to remount the TT-15 model on a new truck. The lifting mechanism is completely enclosed for a neat appearance and protection from the elements. A two piece bumper, for use with frame attached receivers, is standard on the TT15. The THIEMAN TT's overall design makes it the toughest liftgate available in its class.



Features, Benefits and Specifications



Shown with Optional Two Piece Aluminum Platform and Light Kit



Shown with Optional Two Piece Aluminum Platform

“Reduced Maintenance”

STANDARD FEATURES AND BENEFITS:

- Dual Cylinder Design for Maximum Lifting Stability.
- Meets all TMC Electrical Guidelines for Reduced Service Requirements.
- Enclosed Cylinders and Power Units for Better Reliability and Easy Accessibility.
- Molded Toggle Switch (Environmentally Sealed).
- Torsion Assist on all 42" Deep Steel Platforms for Easier Opening & Closing of Platform.
- Skid Resistant Steel Diamond Plate Platform for Added Safety.
- Adjustable Cylinder Clevis for Easy Platform and Bed Alignment.
- 150 Amp Circuit Breaker for Electrical Protection
- Two-Piece Bumper for use with Receivers

AVAILABLE OPTIONS FOR TT-15:

- Platform Options Including: Expanded Metal, 2-Piece Folding, Extruded Aluminum, Bar Grate, Galvanized
- Remote Pendant Control
- In-Cab Shut Off Switch
- Light Kit
- 5000 lb. Tow Rated Bumper
- Tire Rack
- Special Platform Widths and Depths

Model #	Platform	Rated Load Capacity Lbs.	Approx. Inst. Wt.	Bed Height Range
TT15-4926	49" x 26" + 5"	1500	497	30" - 45"
TT15-5326	53" x 26" + 5"	1500	508	30" - 45"
TT15-5626	56" x 26" + 5"	1500	523	30" - 45"
TT15-4942	* 49" x 42" + 5"	1500	606	30" - 45"
TT15-5342	* 53" x 42" + 5"	1500	619	30" - 45"
TT15-5642	* 56" x 42" + 5"	1500	658	30" - 45"

*Two-Piece Platform

TT15-49" x 26"/49" x 42"Utility and Service Bodies (Liftgate Frame Dimensions: Post OD=55.00, Post ID=48.62)

TT15-53" x 26"/53" x 42"Utility and Service Bodies (Liftgate Frame Dimensions: Post OD=59.00, Post ID=52.62)

TT15-56" x 26"/56" x 42"1988 and Later GMC/Chevrolet Pickup, 1994 and Later Dodge Pickup, 1997 and Later Ford Pickup

Distributed By:



Raising Performance to New Levels

600 East Wayne Street
 Celina, Ohio 45822
 Phone: 419-586-7727 or
 800-524-5210
 Fax: 419-586-9724
 www.thiemantailgates.com
 info@thiemantailgates.com