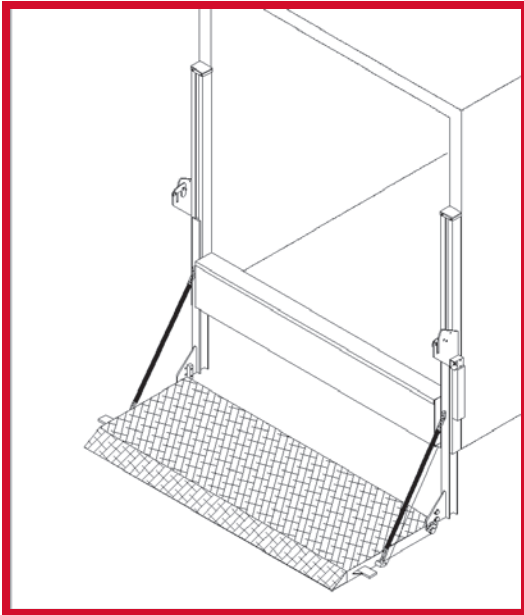


# TVLR SERIES

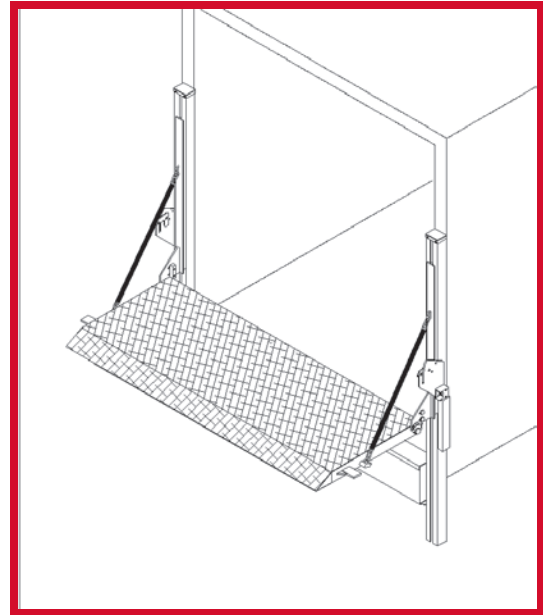
*new models with  
BOTTOM ROLLERS standard*

**Railgates By THIEMAN**  
**Raising Performance to New Levels**

## STANDARD



## ABOVE BED



### FEATURING:

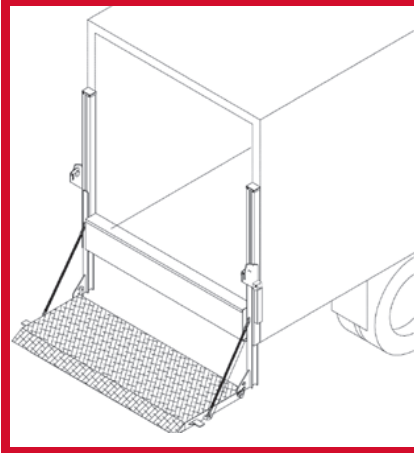
- **NEW Sliders w/Bottom Rollers**
- **NEW Stronger Frame Design**
- **NEW 2 piece platform options**
- **Fully Enclosed Pump and Cylinder**
- **Steel/Aluminum Platforms**
- **Level Ride Platform**
- **Auto Safety Latch System**
- **1250 to 3000 Lb. Capacities**
- **Torsion Assist Platform Closing**

Designed for the use on van and stake bodies, cutaways, and step-vans, the **NEW AND IMPROVED** Thieman TVLR railgate series is a reliable, low-maintenance, general-purpose liftgate.

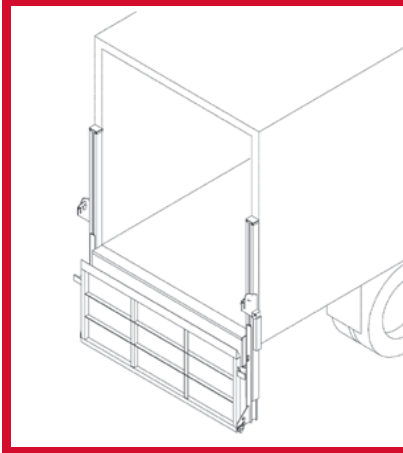
This popular railgate has a wide range of lift capacities and is available for above-bed and special low-bed application. If overall weight is a concern the Thieman all aluminum AATVLR could be the right answer.

With its many standard features and versatile options, the **NEW AND IMPROVED** Thieman TVLR series, continues to be the future of general purpose railgates.

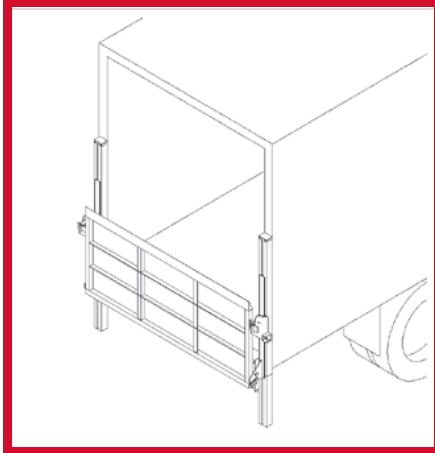
# Steel Frame and Platform



**Platform in loading position**



**Platform in docking position**



**Platform in travel position**

## STANDARD FEATURES AND BENEFITS:

- Meets all TMC electrical guidelines for reduced service requirements.
- Pre-assembled, self-contained pump and cylinder for easy installation and protection from the weather.
- Automatic safety latch for hands free disengagement of the platform both in and out of stowed position.
- Low friction roller slider for smooth operation.
- Torsion bars assist for easy platform handling.
- Pre-assembled toggle switch assembly for easy operation and increased reliability.
- Liftgate lowers below bed height for dock loading depending on bed height & platform depth
- 150 Amp circuit breaker for electrical protection.

## AVAILABLE OPTIONS FOR TVLR SERIES:

- Low bed capability
- Safety cut-off switch
- Remote pendant control
- Special platform sizes/2 pc dock loading
- Steel, expanded metal and bar grate platforms
- 102" Wide body
- Bottle gas cage (30" & 36" depths only)
- Light kits
- In-Cab Shut Off Switch
- Aluminum retention ramp

Model #	Platform Widths	Platform Depths	Load Capacity	Above Bed Range	Bed Height Range	Overall Width
TVLR 125	75" & 85"	30", 36"	1250 lbs.	N/A	33"-46", 33"-56"	80" & 90"
TVLR 16	90"	30", 36", 42"	1600 lbs.	N/A	33" to 56"	95"
TVLR 20	90"	30", 36", 42", 48"	2000 lbs.	N/A	33" to 56"	95"
TVLR 30	90"	30", 36", 42", 48"	3000 lbs.	N/A	33" to 56"	95"
TVLR 125A	75" & 85"	30", 36"	1250 lbs.	16"-10"	33"-46", 33"-46"	80" & 90"
TVLR 16A	90"	30", 36", 42"	1600 lbs.	16"-10"	33" to 46"	95"
TVLR 20A	90"	30", 36", 42", 48"	2000 lbs.	16"-10"	33" to 46"	95"
TVLR 30A	90"	30", 36", 42", 48"	3000 lbs.	16"-10"	33" to 46"	95"

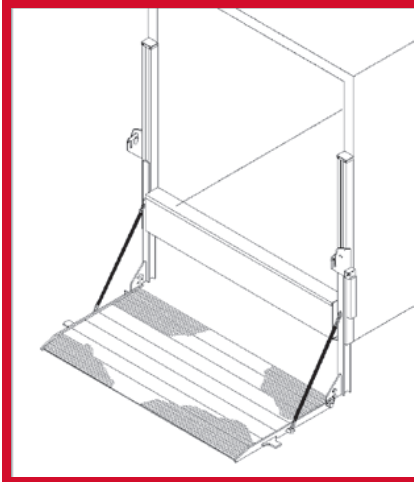
A-Above bed (Maximum bed height 46")

\*For special bed heights and platform sizes, contact the factory.

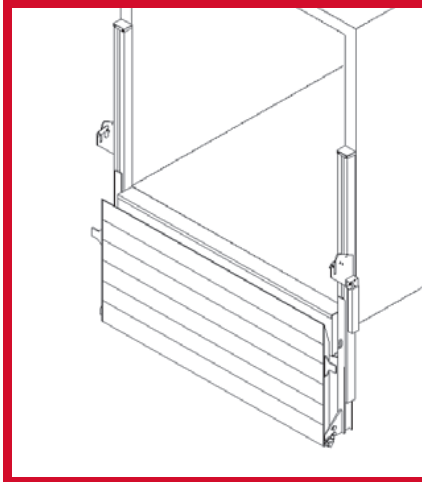
Application: Van Bodies, Stake Bodies, and Trailers

All Steel platforms have 5" ramps

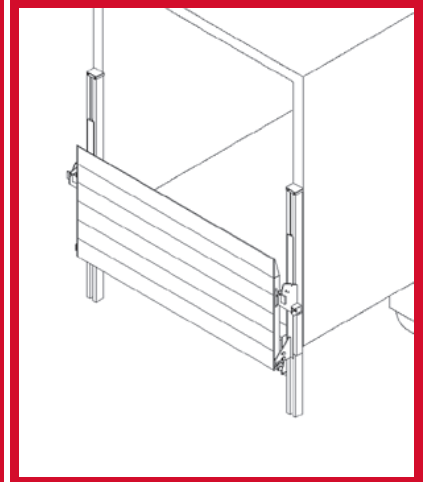
# Steel Frame Aluminum Platform



**Platform in loading position**



**Platform in docking position**



**Platform in travel position**

## STANDARD FEATURES AND BENEFITS:

- Meets all TMC electrical guidelines for reduced service requirements.
- Pre-assembled, self-contained pump and cylinder for easy installation and protection from the weather.
- Automatic safety latch for hands free disengagement of the platform both in and out of stowed position.
- Low friction roller slider for smooth operation.
- Torsion bars assist for easy platform handling.
- Pre-assembled toggle switch assembly for easy operation and increased reliability.
- Liftgate lowers below bed height for dock loading depending on bed height & platform depth
- 150 Amp circuit breaker for electrical protection.

## AVAILABLE OPTIONS FOR TVLR-AL SERIES:

- Low bed capability
- Safety cut-off switch
- Remote pendant control
- Special platform sizes/2 pc dock loading
- 102" Wide body
- Bottle gas cage (30" & 36" depths only)
- Light kits
- In-Cab Shut Off Switch
- Aluminum retention ramp
- Foot activated cart stop (single or dual)

Model #	Platform Widths	Platform Depths	Load Capacity	Above Bed Range	Bed Height Range	Overall Width
TVLR 125AL	75" & 85"	30", 36", 42", 48", 54", 60"	1250 lbs.	N/A	33"-46", 33"-56"	80" & 90"
TVLR 16AL	90"	30", 36", 42", 48", 54", 60" 66", 72"	1600 lbs.	N/A	33" to 56"	95"
TVLR 20AL	90"	30", 36", 42", 48", 54", 60" 66", 72"	2000 lbs.	N/A	33" to 56"	95"
TVLR 30AL	90"	42", 48", 54", 60", 66", 72"	3000 lbs.	N/A "	33" to 56"	95"
TVLR 125A-AL	75" & 85"	30", 36", 42", 48", 54", 60"	1250 lbs.	16"-10"	33"-46", 33"-46"	80" & 90"
TVLR 16A-AL	90"	30", 36", 42", 48", 54", 60" 66", 72"	1600 lbs.	16"-10"	33" to 46"	95"
TVLR 20A-AL	90"	30", 36", 42", 48", 54", 60" 66", 72"	2000 lbs.	16"-10"	33" to 46"	95"
TVLR 30A-AL	90"	42", 48", 54", 60", 66", 72"	3000 lbs.	16"-10"	33" to 46"	95"

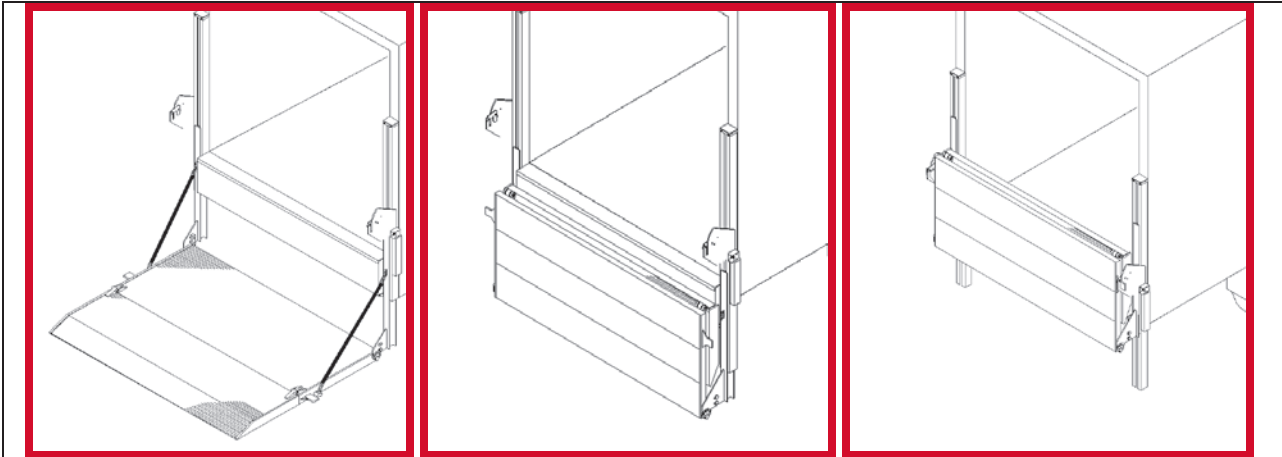
A-Above bed (Maximum bed height 46")

\*For special bed heights and platform sizes, contact the factory.

Application: Van Bodies, Stake Bodies, and Trailer

All Aluminum platforms have 6" ramps

# Steel Frame 2 Pc (Dockload) Platform



**Platform in loading position**

**Platform in docking position**

**Platform in travel position**

## STANDARD FEATURES AND BENEFITS:

- Meets all TMC electrical guidelines for reduced service requirements.
- Pre-assembled, self-contained pump and cylinder for easy installation and protection from the weather.
- Automatic safety latch for hands free disengagement of the platform both in and out of stowed position.
- Low friction roller slider for smooth operation.
- Torsion bars assist for easy platform handling.
- Pre-assembled toggle switch assembly for easy operation and increased reliability.
- Liftgate lowers below bed height for dock loading depending on bed height & platform depth
- 150 Amp circuit breaker for electrical protection.

## AVAILABLE OPTIONS FOR TVLR SERIES:

- Low bed capability
- Safety cut-off switch
- Remote pendant control
- Special platform sizes
- Aluminum platforms
- 102" Wide body
- Light kits
- In-Cab Shut Off Switch
- Aluminum retention ramp
- Foot activated cart stop (single or dual)

Model #	Platform Widths	Platform Depths	Extension Depths	Load Capacity	Above Bed Range	Bed Height Range	Overall Width
TVLR 125	75" & 85"	30", 36", 42"	12" & 18"	1250 lbs.	N/A	33"-46", 33"-56"	80" & 90"
TVLR 16	90"	30", 36", 42"	12" & 18"	1600 lbs.	N/A	33" to 56"	95"
TVLR 20	90"	30", 36", 42"	12" & 18"	2000 lbs.	N/A	33" to 56"	95"
TVLR 30	90"	30", 36", 42"	12" & 18"	3000 lbs.	N/A	33" to 56"	95"
TVLR 125A	75" & 85"	30", 36", 42"	12" & 18"	1250 lbs.	16"-10"	33"-46", 33"-46"	80" & 90"
TVLR 16A	90"	30", 36", 42"	12" & 18"	1600 lbs.	16"-10"	33" to 46"	95"
TVLR 20A	90"	30", 36", 42"	12" & 18"	2000 lbs.	16"-10"	33" to 46"	95"
TVLR 30A	90"	30", 36", 42"	12" & 18"	3000 lbs.	16"-10"	33" to 46"	95"

A-Above bed (Maximum bed height 46")

\*For special bed heights and platform sizes, contact the factory.

Application: Van Bodies, Stake Bodies, and Trailers

All Aluminum platforms have 6" ramps



600 East Wayne Street  
 Celina, Ohio 45822  
 Phone: 800-524-5210  
 Fax: 419-586-9724

[www.thieman.com](http://www.thieman.com)  
[info@thiemantailgates.com](mailto:info@thiemantailgates.com)

**Raising Performance to New Levels**